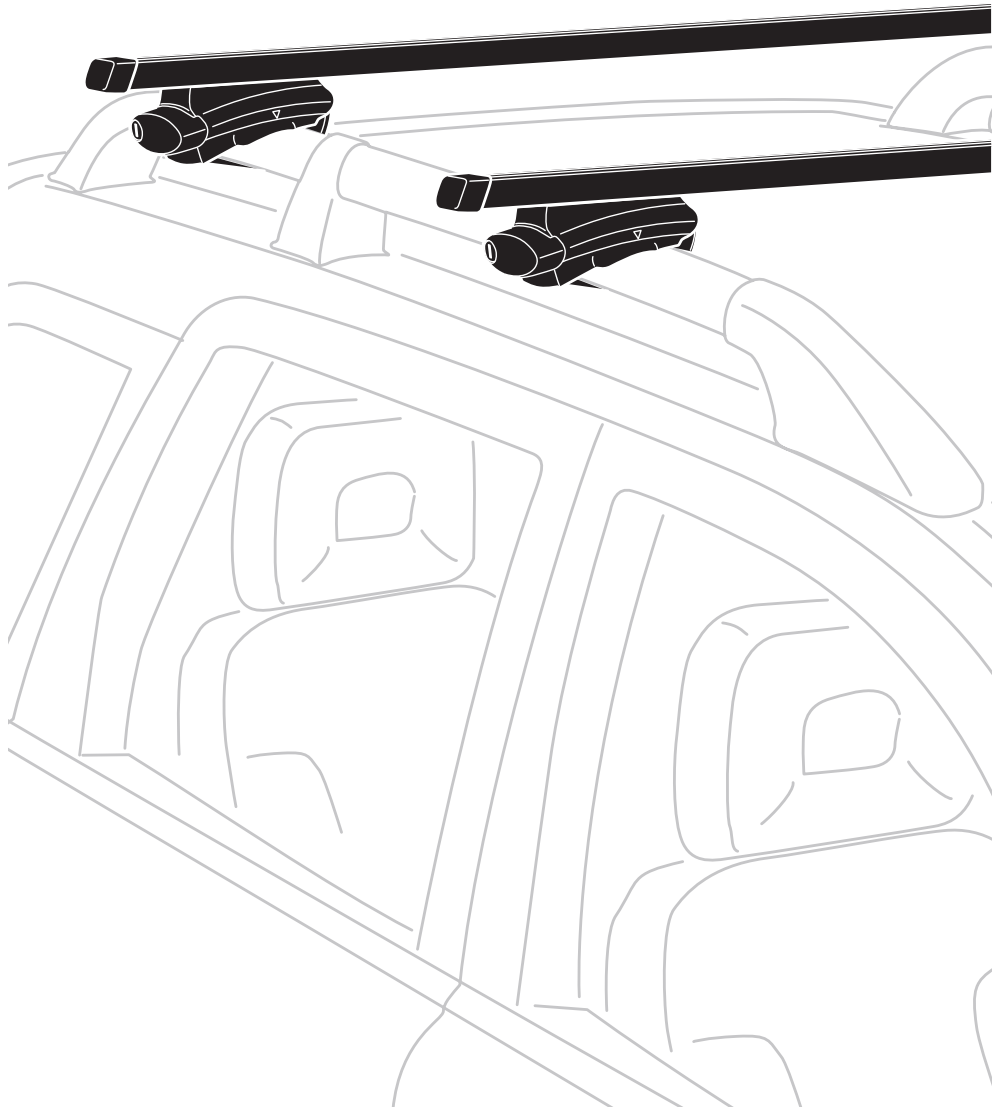


# Instructions

## Rapid System 775

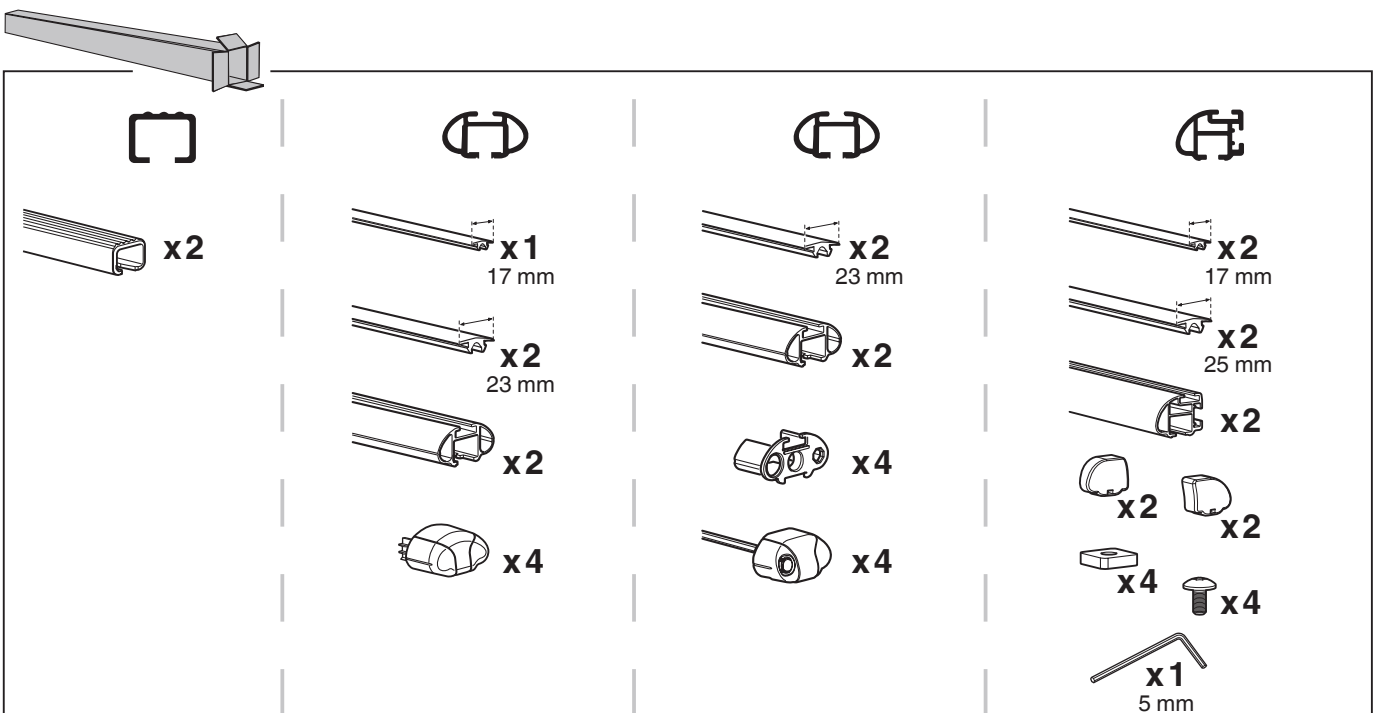
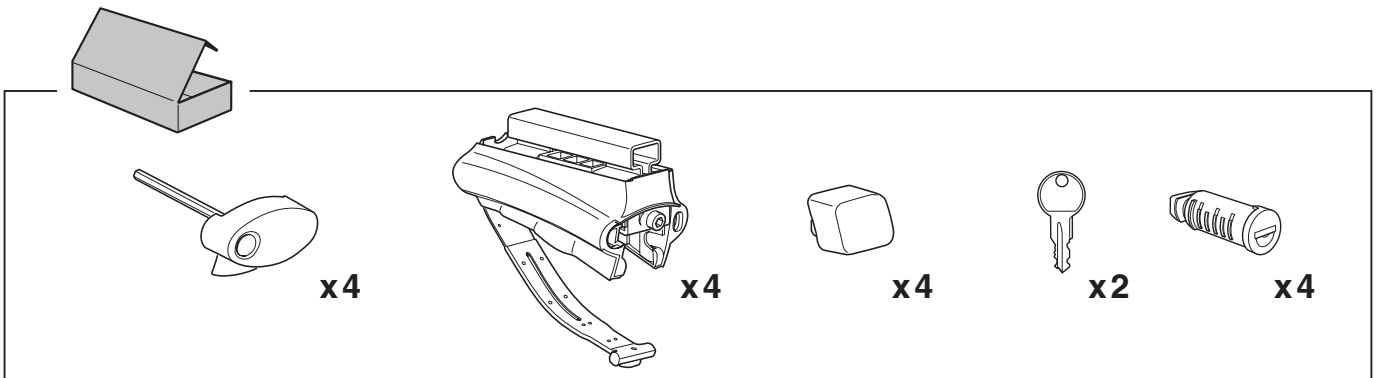
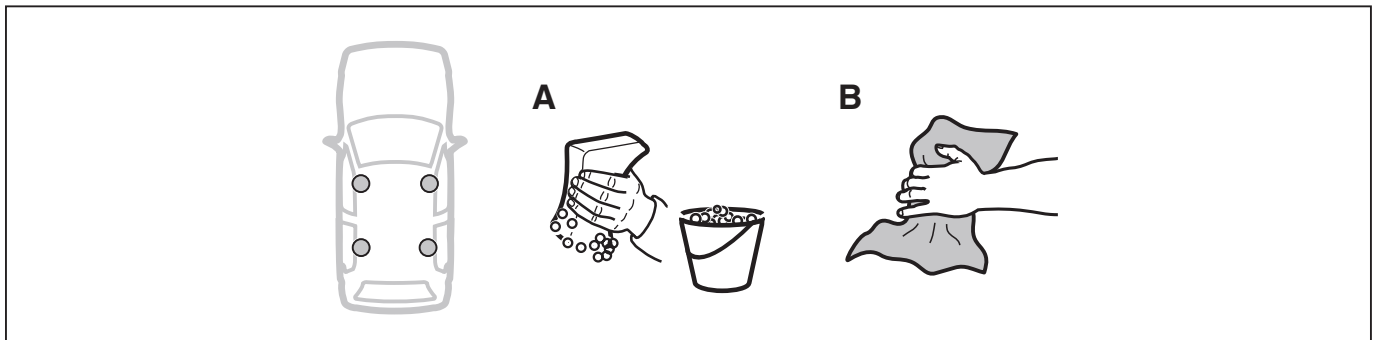
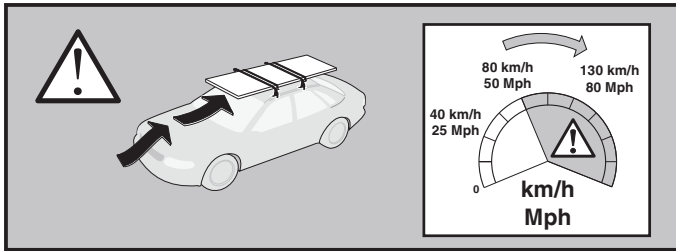
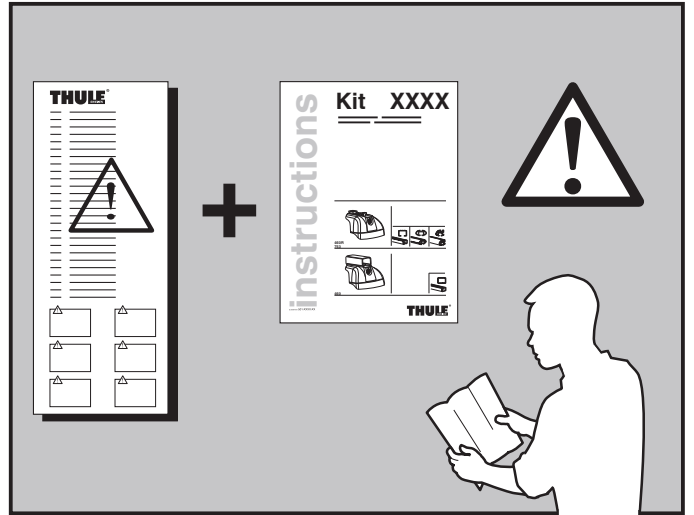
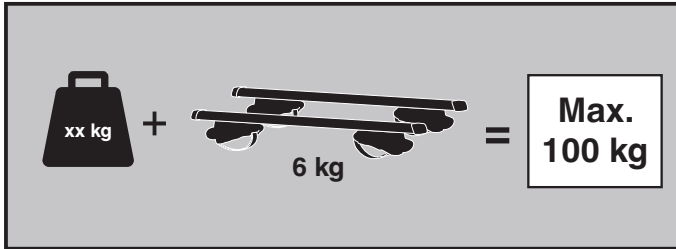


775000

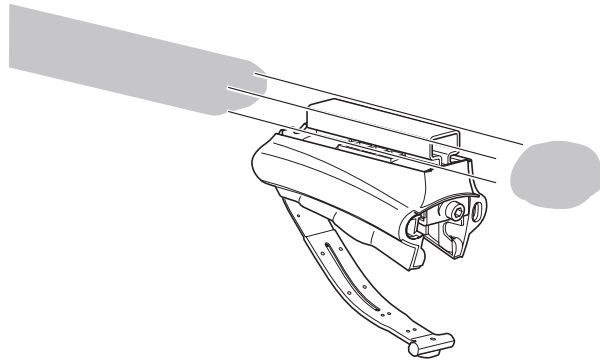
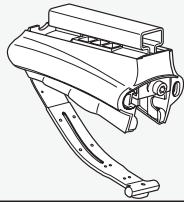


ISO 11154-E

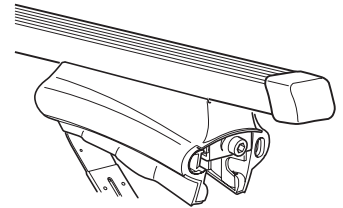
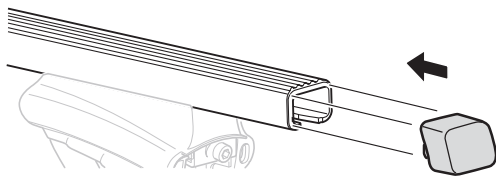
**THULE**<sup>®</sup>  
SWEDEN



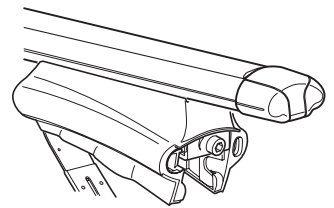
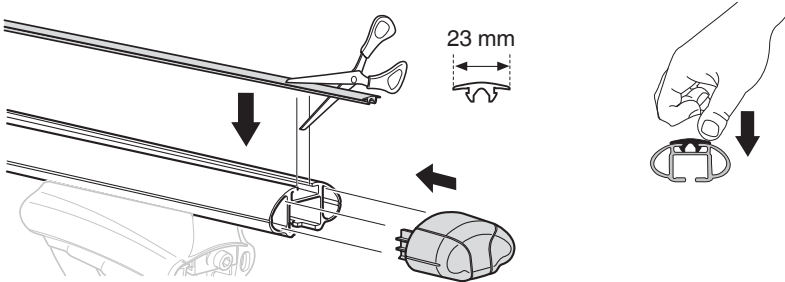
1



x4

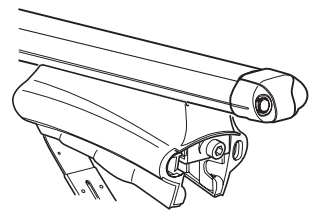
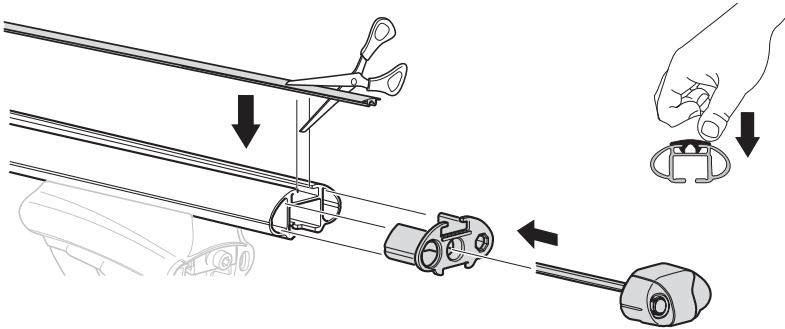


x4



x4

x4



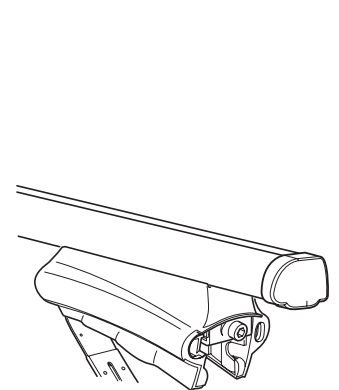
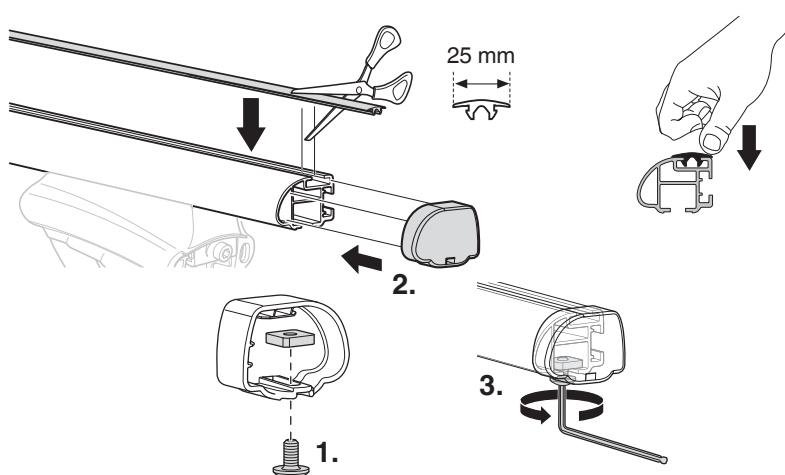
x2

x2

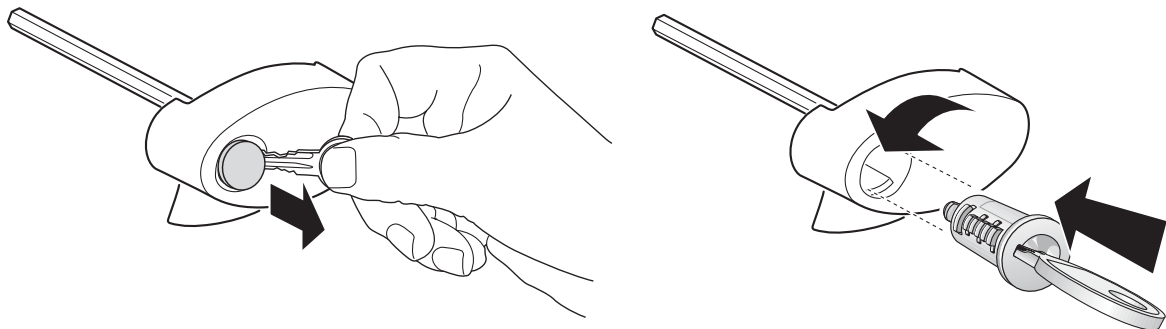
x4

x4

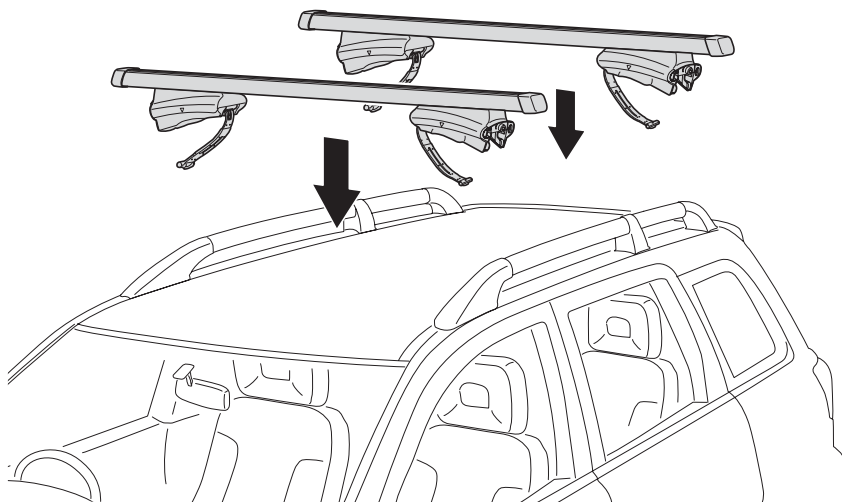
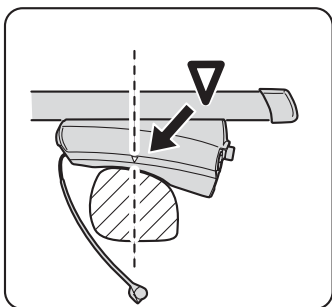
x1  
5 mm



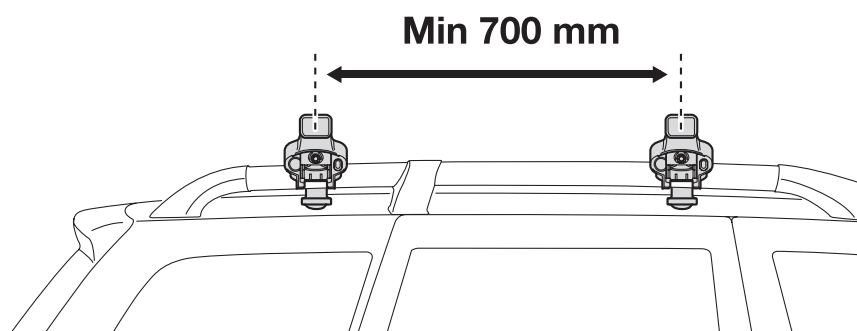
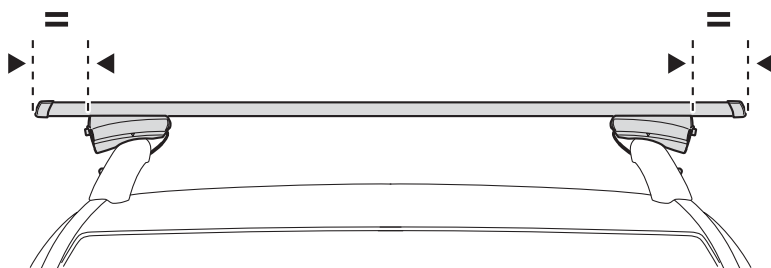
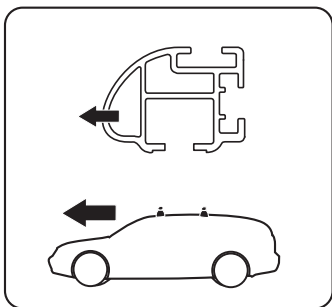
2



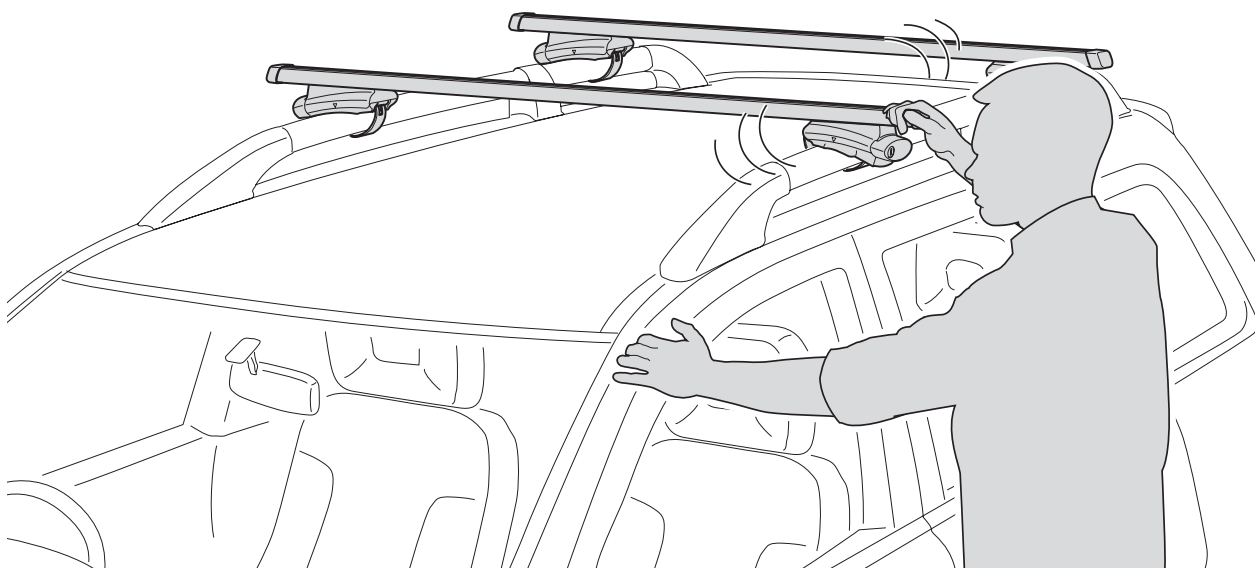
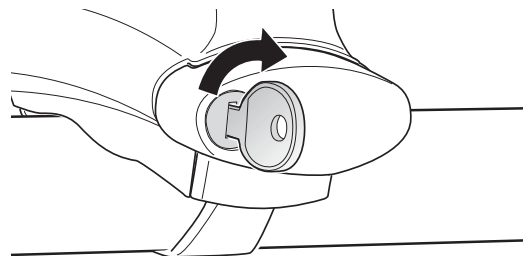
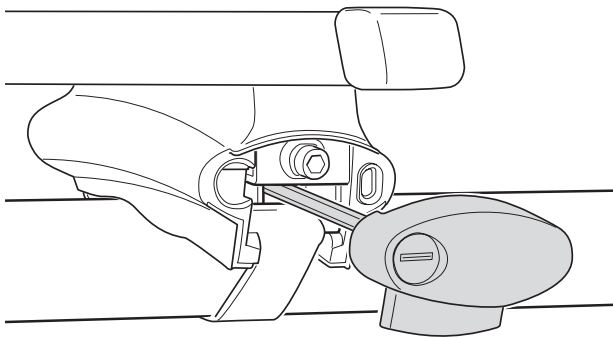
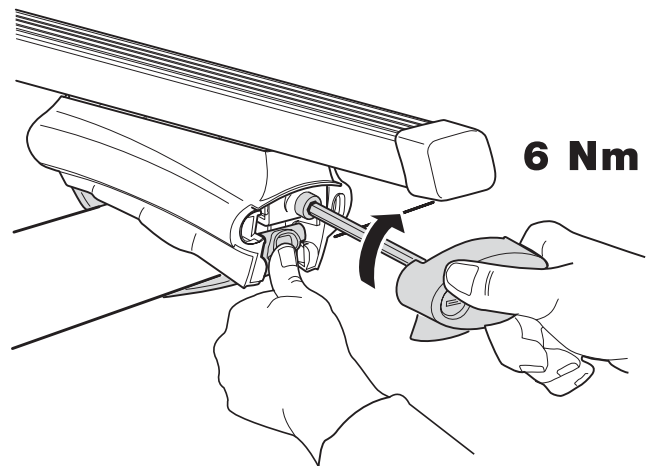
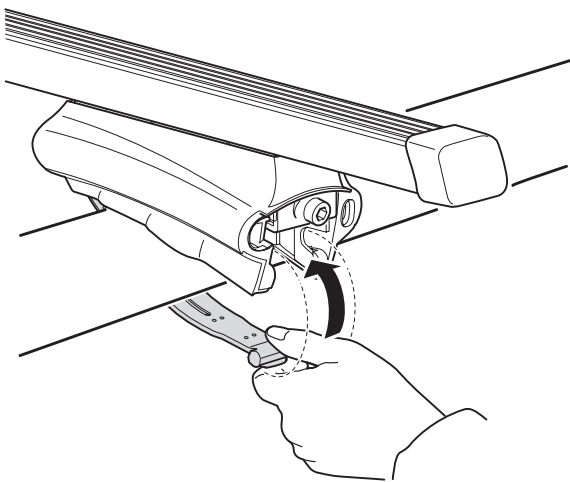
3

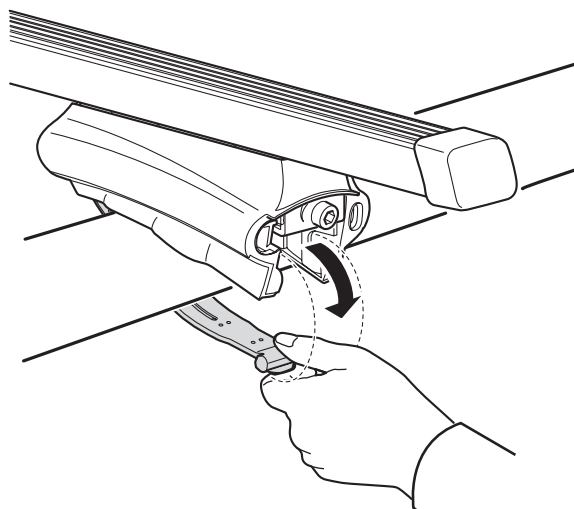
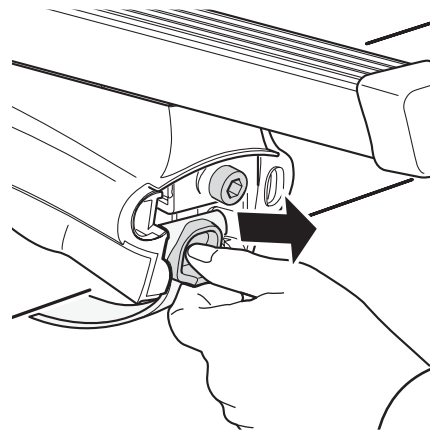
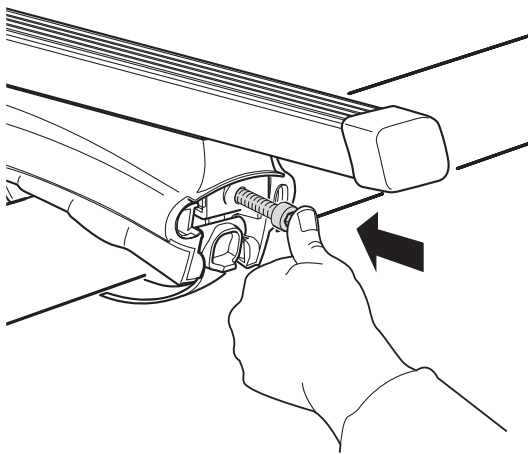
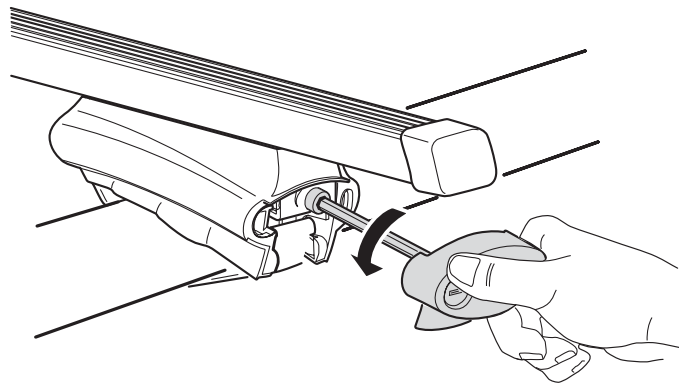
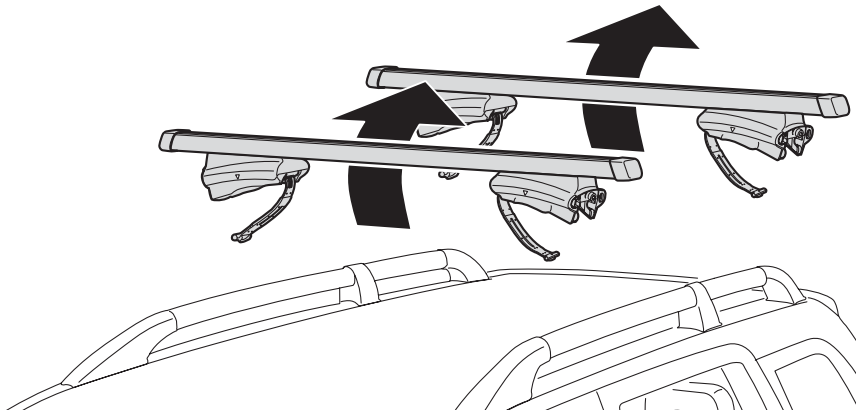


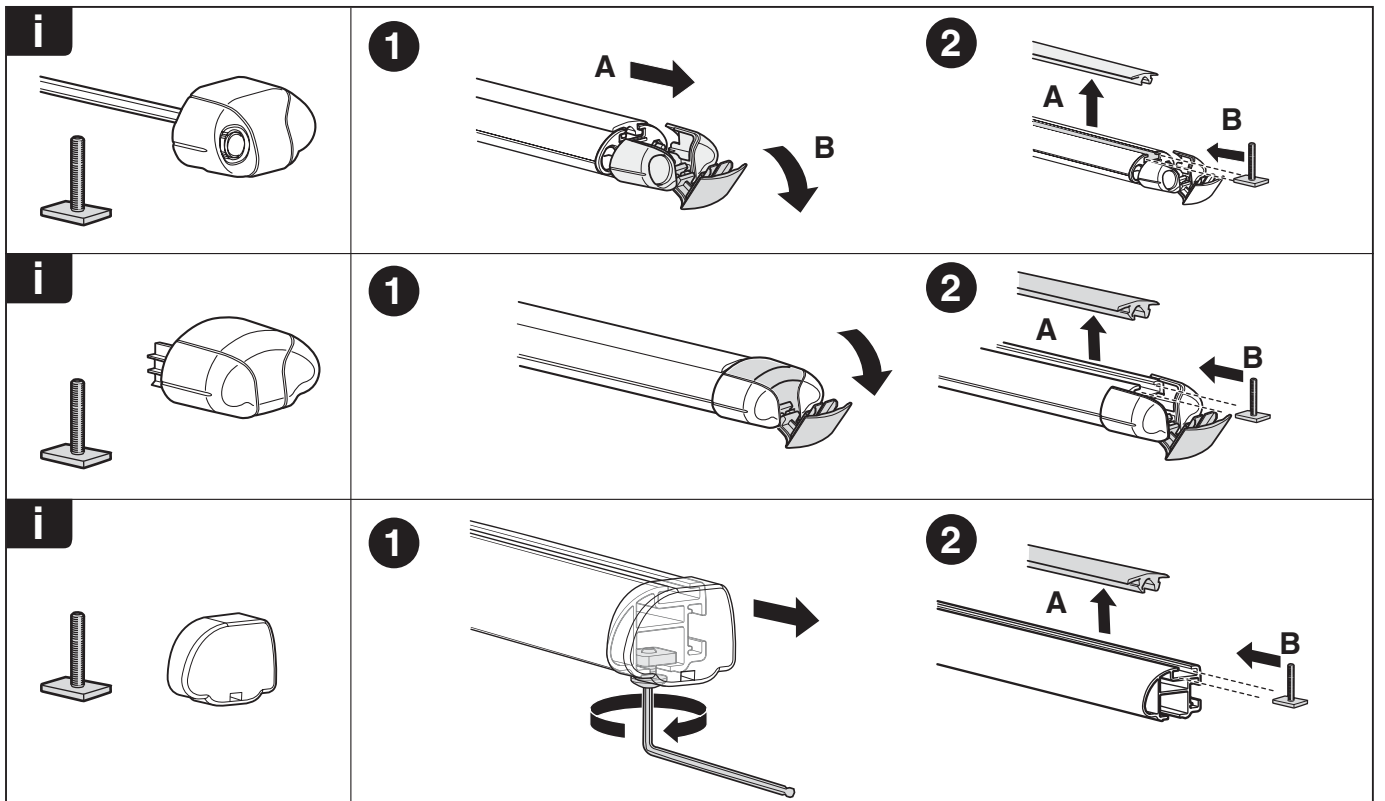
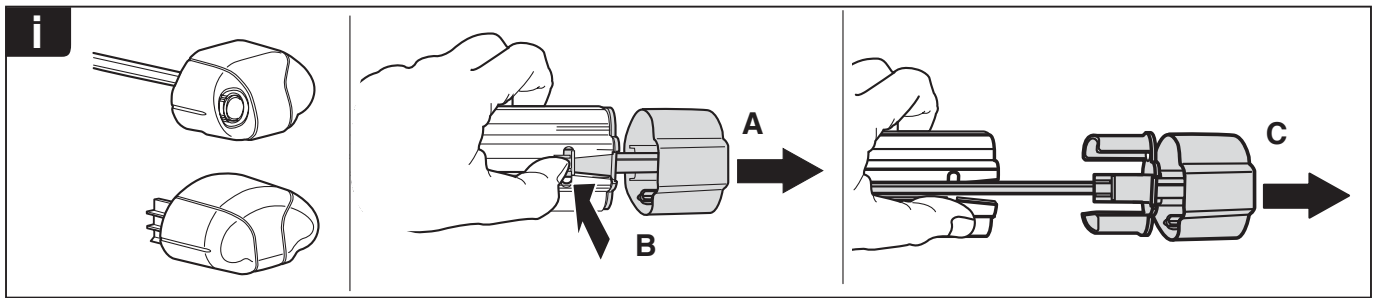
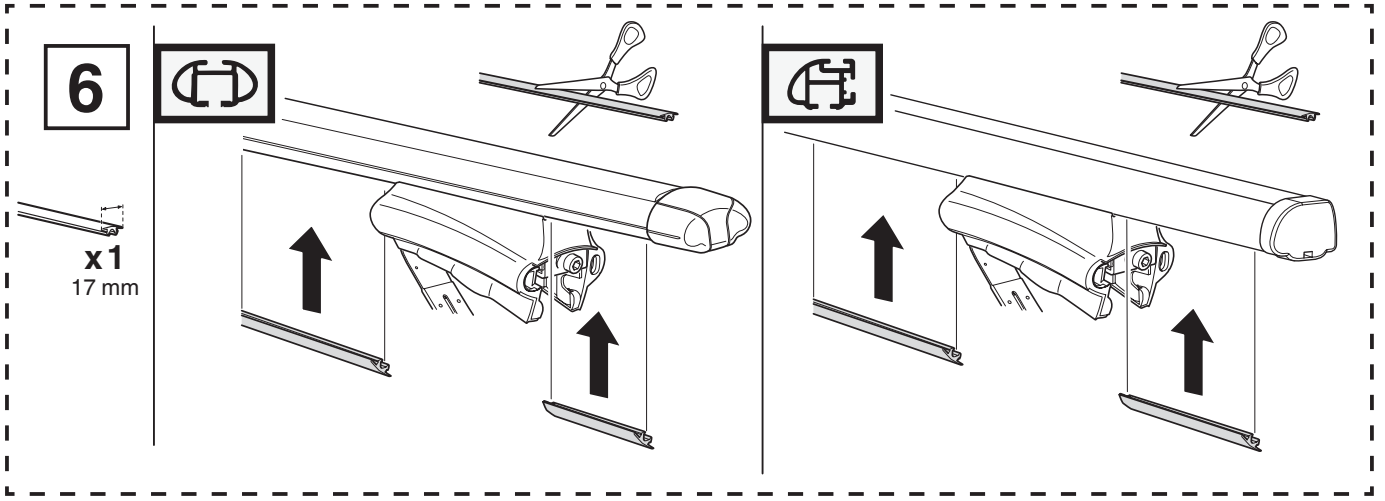
4



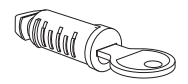
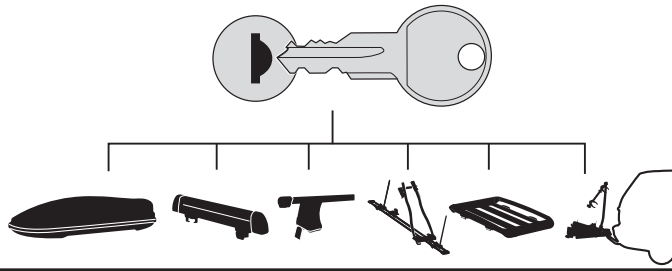
**5**







**THULE**  
SWEDEN  
**ONE  
KEY  
SYSTEM**



**544**  (x4)

**596**  (x6)

**588**  (x8)

**452**  (x12)