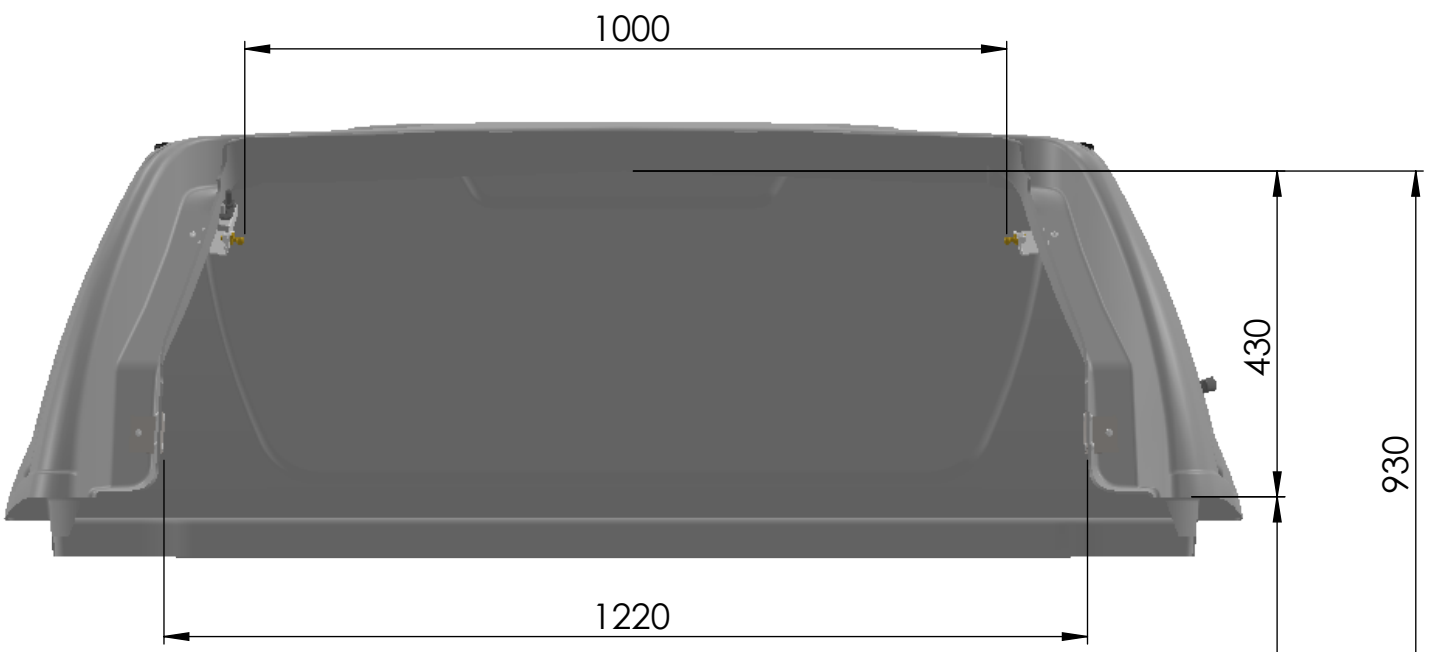
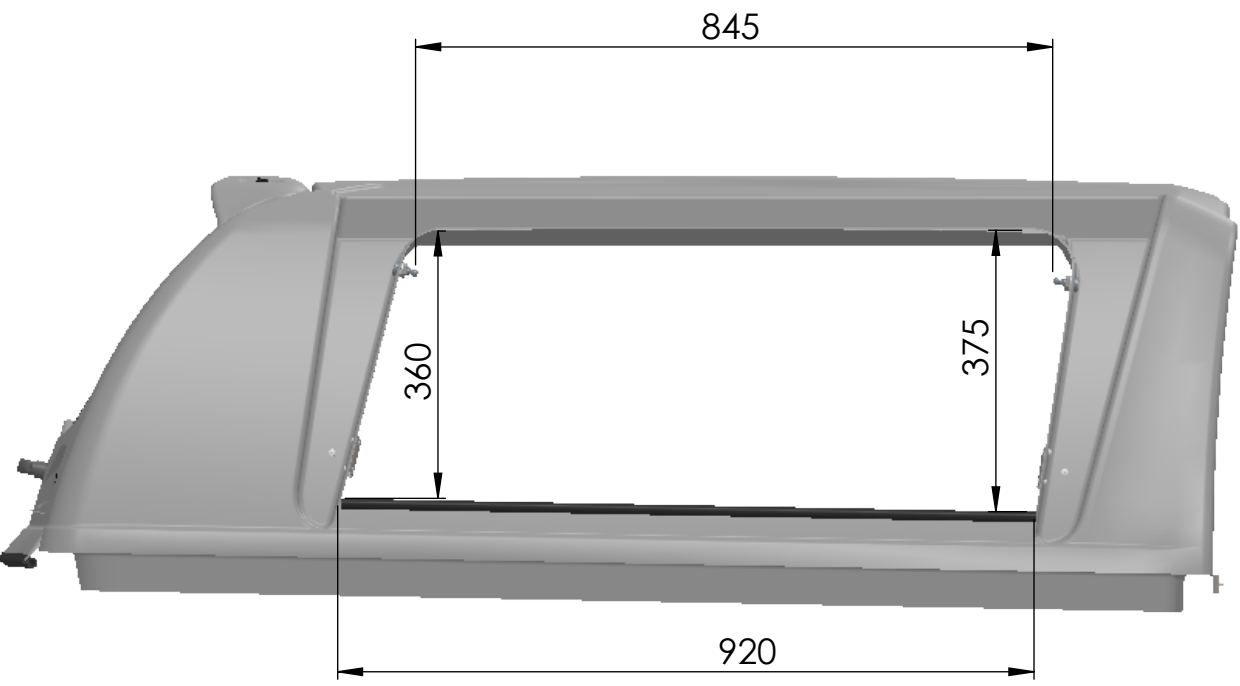
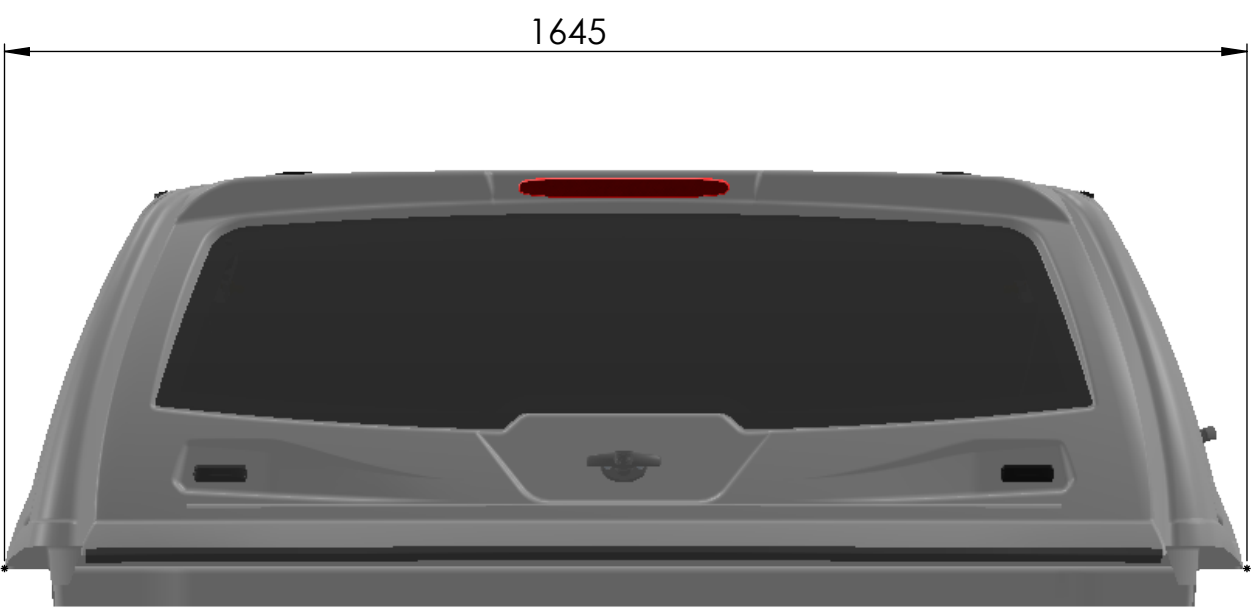
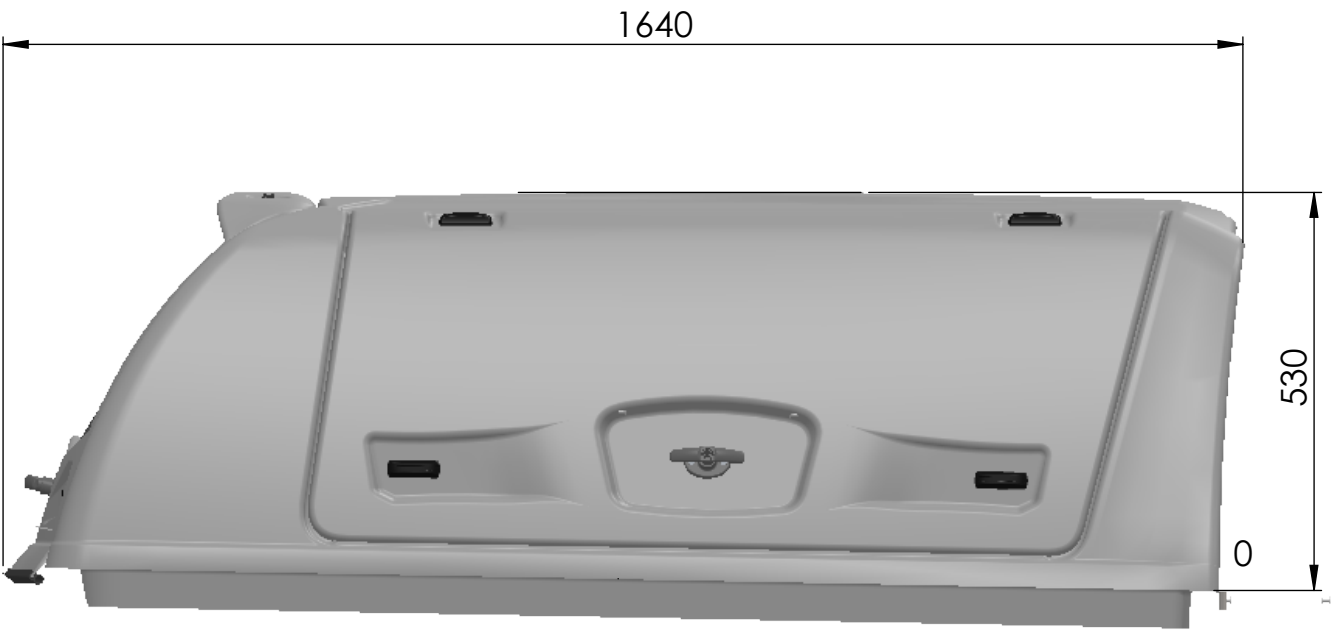
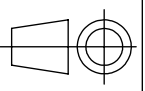



This drawing is the property of PLB Vindic AB. It is strictly confidential and must not be copied, traced or loaned without permission. Any infringement of these conditions will lead to the institution of legal procedures



Cargo floor  
Flakbotten

	General tolerances: ISO 2768-1m	Date: 12.06.2021	Scale: 1:10
	Designed by: S. Ennemuist	Title/Name: ISD-0055;-1155 measurements	
	Checked by: M.Männapuu		
Owner:  PLB Vindic AB Sweden	Sheet: 1/1	Drawing number: ISD-55 M	