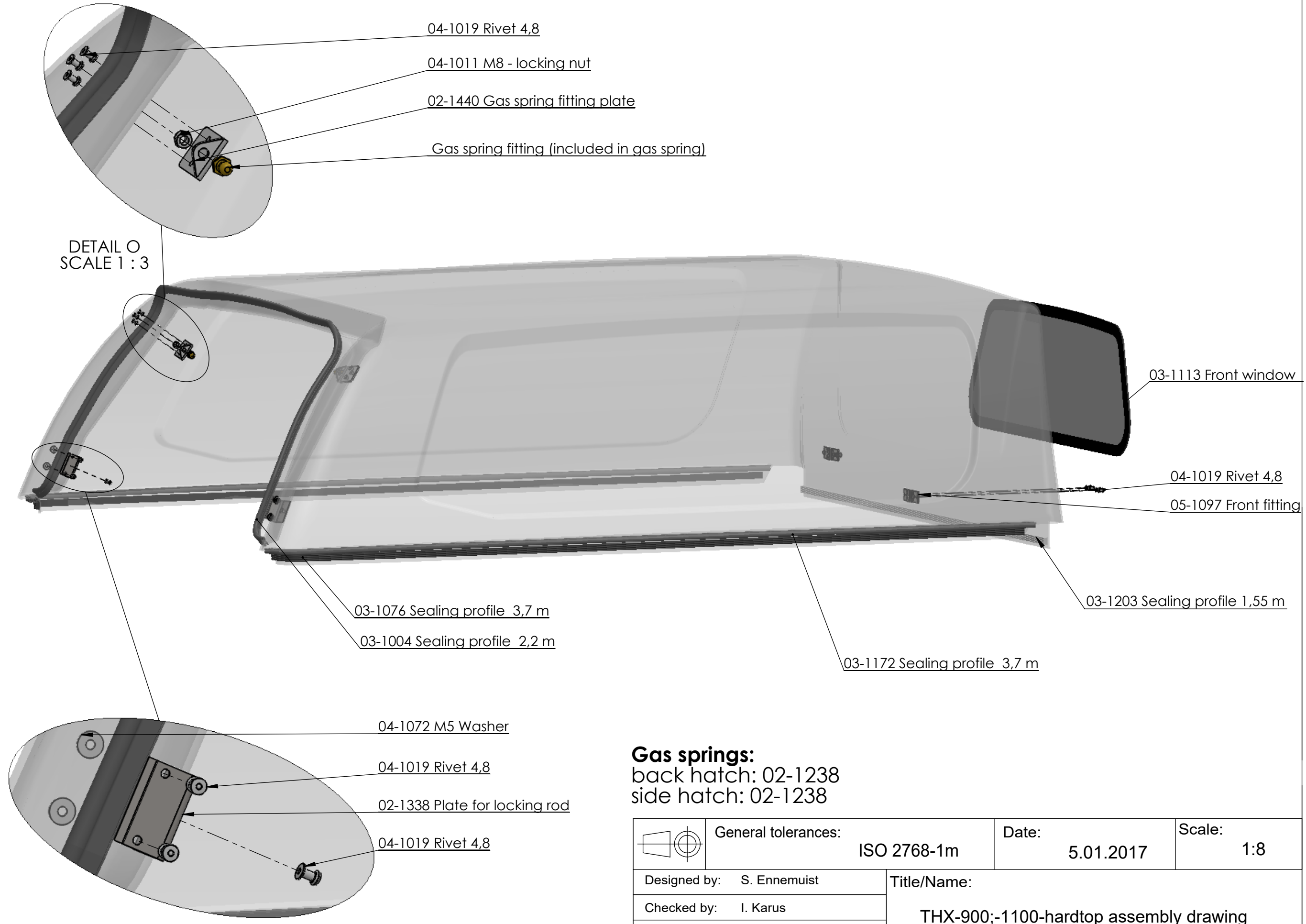


This drawing is the property of PLB Vindic AB. It is strictly confidential and must not be copied, traced or loaned without permission. Any infringement of these conditions will lead to the institution of legal procedures



DETAIL O
SCALE 1 : 3

DETAIL P
SCALE 1 : 2

- 04-1019 Rivet 4,8
- 04-1011 M8 - locking nut
- 02-1440 Gas spring fitting plate
- Gas spring fitting (included in gas spring)

03-1113 Front window

04-1019 Rivet 4,8
05-1097 Front fitting

03-1076 Sealing profile 3,7 m
03-1004 Sealing profile 2,2 m

03-1172 Sealing profile 3,7 m

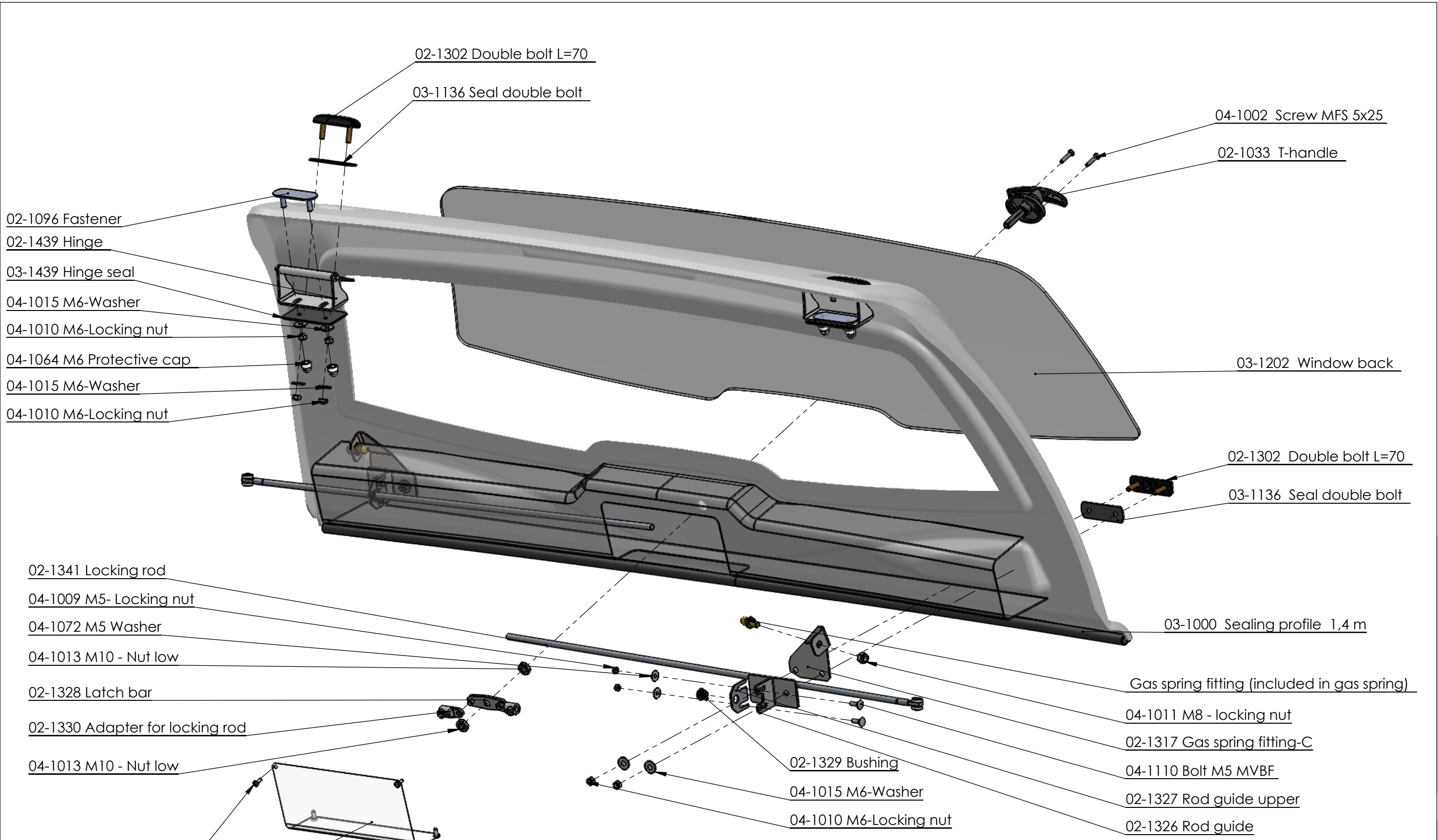
03-1203 Sealing profile 1,55 m

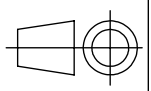

- 04-1072 M5 Washer
- 04-1019 Rivet 4,8
- 02-1338 Plate for locking rod
- 04-1019 Rivet 4,8

Gas springs:
back hatch: 02-1238
side hatch: 02-1238

	General tolerances:	ISO 2768-1m	Date:	5.01.2017	Scale:	1:8
	Designed by:	S. Ennemuist		Title/Name:		
Checked by:	I. Karus		THX-900;-1100-hardtop assembly drawing			
Owner:	 PLB Vindic AB Sweden		Sheet: 1/1	Drawing number:		
			THX-01.22			

This drawing is the property of PLB Vindic AB. It is strictly confidential and must not be copied, traced or loaned without permission. Any infringement of these conditions will lead to the institution of legal procedures



	General tolerances:	ISO 2768-1m	Date:	28.02.2017	Scale:	1:5
	Designed by:	S. Ennemuist	Title/Name:			
Checked by:	I. Karus	THD-55, THD-0, THX-55 and THX-0 back hatch assembly drawing				
Owner:	 PLB Vindic AB Sweden		Sheet: 1/1	Drawing number:		THD-03.21